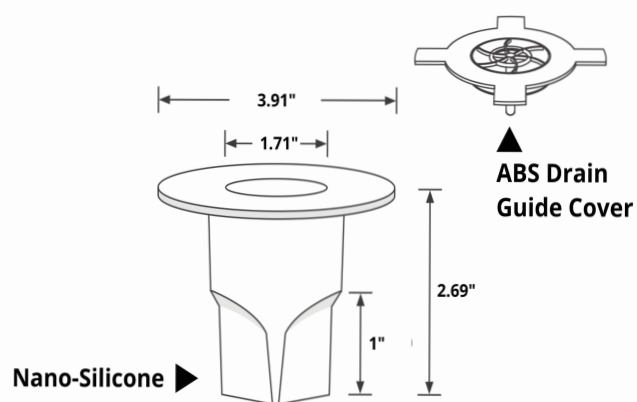


- **EXCLUSIVE DESIGN INSPIRED BY HEART VALVES:** Like our heart valves that keep blood flowing in the correct direction, the bottom flap opens by water pressure and closes up immediately as soon as the last drop of any liquid comes down. The design prevents backflow, odor, insects, and any aerosolized pathogens.
- **US PATENT-APPLIED Y-SHAPED DRAIN SYSTEM:** Provides faster drainage and better blockage
- **FASTER DRAINAGE:** The ABS tornado-shaped strainer cover and Y-Shaped Drain provides faster drainage
- **TORNADO-SHAPED STRAINER COVER CAPTURES FOREIGN OBJECTS**
- **AIRTIGHT SEALING/ NO LEAKAGE:** Passed leakage tests.
- **SUPERIOR DURABILITY AND CHEMICAL/SHOCK RESISTANCE:** Nano-silicone material makes it easy to clean and endure lots of hot water or harsh chemicals.
- **EASY CLEAN-UP:** Hot water or bleach can be used to clean the drain valve.
- **99.9% HYGIENIC:** Passed tests against E. Coli and Streptococcus.
- **MADE IN KOREA**

### PRODUCT SPECIFICATIONS



# Pourmon

## DRAIN MASK

INSPIRED BY HEART VALVES



A-903 697, Pangyo-ro, Bundang-gu, Seongnam-si, Gyeonggi-do, Republic of Korea

### BEFORE BEGINNING

**Please read the instructions carefully before installing the drain valve.**

**\*\*\* Caution:** Please do not cut the lower part of this product.

**Returns and Exchanges:** Please contact the retailer you purchased your product for questions about returning or exchanging the product.

### INSTALLATION GUIDELINES

1. Inspect drain sizes.
2. Remove the plug and any other parts, if any, that prevent water from going down.
3. Remove the lid or grate and take out everything (hair or foreign objects) in the drain pipe.
4. Place the drain valve inside. If there is a drain cup (strainer) or other insert, remove it before placing the valve inside.
5. Close the lid.

**\*\*\*** If there is a plastic drain cup, cut the bottom part and place the top part inside of the sewer to use as a space filler.

### CLEANING GUIDELINES

**Hot Water:**

- To wash with hot water, take off the tornado-shaped ABS cover and place the silicone part of the drain valve in boiling water.
- Another way to clean with hot water is to pour boiling water through the valve system.



**Bleach:**

- To wash with bleach, separate the tornado-shaped ABS cover and the silicone part and soak both parts in the bleach and water solution.
- Rinse with clean water to remove any bleach.



### Q&A

• **The size doesn't fit, what should I do?**

If the diameter is 4 inch or larger and there is a plastic drain (strainer) cup inside, please cut the bottom part of the cup and use the top part as a space filler.

• **I installed the drain valve but the water isn't going down, what should I do?**

The drain valve is made up of silicone so the insides tend to stick together if not used with water for a long time. Before using, please pass it through water so that it will unstick.

• **I can't get the drain (strainer) cup to come out. What should I do?**

Follow drain manufacturer's guidance. If the drain cup can't come up because it's in the sewer very tightly, use a pair of scissors or another tool to get it loose by having it rotate counterclockwise. Contact the drain manufacturer for the removal process if it is still stuck.

POURMON co.,Ltd

[www.pourmon.com](http://www.pourmon.com)